

ComColor GL Series

Optional Accessories Specifications

Scanner HS7000

Type	Flat Bed Scanner with Automatic Document Feeder (ADF)	
Scanning Modes	Copy mode: Color, Monochrome, Auto, Cyan, Magenta Scan mode: Color, Monochrome, Auto, Grayscale	
Scanning Resolution	600 dpi, 400 dpi, 300 dpi, or 200 dpi	
Maximum Scanning Area	303 mm × 432 mm (11 15/16" × 17") (when using platen glass) 295 mm × 430 mm (11 5/8" × 16 15/16") (when using ADF)	
Copy	Writing Resolution	Standard: 300 dpi× 300 dpi Fine: 300 dpi× 600 dpi
	Copy Paper Size	Maximum: 303 mm × 432 mm (11 15/16" × 17") (equivalent to A3)
	First Copy Time	Monochrome/Color: 7 sec. or less (when copying A4/Letter long-edge feed orientation using Color Priority Mode)
	Copying Speed	Simplex copying (A4/Letter long-edge feed, using ADF): 80 ppm or higher Duplex copying (A4/Letter long-edge feed, using ADF): 80 ppm or higher
	Reproduction Size	50% to 200% (Copy mode) 50% to 200% (Scanner mode, resolution: 200/300 dpi), only 100% (Scanner mode, resolution: 400/600 dpi)
Auto Document Feeder	Type	Original source displacement (capable of scanning both sides of a document by simultaneous duplex scanning)
	Original Size	Maximum: 297 mm × 432 mm (11 11/16" × 17") (equivalent to A3) Minimum: 100 mm × 148 mm (3 15/16" × 5 27/32")
	Paper Weight	52 gsm to 128 gsm (14-lb bond to 34-lb bond)
Scan	Original Capacity	Max. 200 sheets: 80 gsm (21-lb bond) Height up to 25 mm (1")
	Scanning Gray Levels	10-bit input and 8-bit output for each RGB color
	Scanning Speed	Monochrome/Color: 100 ppm *RISO KAGAKU standard original (A4/Letter long-edge feed), 300 dpi, JPEG, PDF, when stored to main unit hard drive
	Network Interface*1	Ethernet 1000BASE-T/100BASE-TX/10BASE-T
	Data-saving Method*1	Save to main unit hard drive, server, or USB flash drive, or send by e-mail
Power Source	AC 100 V - 240 V, 1.2 A - 0.6 A, 50 Hz - 60 Hz	
Power Consumption	Max. 100 W	
Dimensions (W × D × H)	640 mm × 560 mm × 255 mm (25 3/16" × 22 1/16" × 10 1/32")	
Required Space with Printer (W × D × H)	1,235 mm × 1,345 mm × 1,635 mm (48 5/8" × 52 15/16" × 64 3/8")	
Weight	Approx. 25 kg (55 lb)	

*1 Via the internal host controller

Face Down Finisher G10

Type	External Unit	
Finishing Functions	Offset stacking, staple	
Paper Size	Without offset Maximum: 340 mm × 550 mm (13 3/8" × 21 5/8") Minimum: 90 mm × 148 mm (3 9/16" × 5 27/32")	
	Offset output Regular-sized paper width: 182 mm × 257 mm - 297 mm × 431.8 mm (7 3/16" × 10 1/8" - 11 11/16" × 17") Irregular-sized paper width: 131 mm × 148 mm - 305 mm × 550 mm (5 3/16" × 5 27/32" - 12" × 21 5/8")	
Paper Weight	46 gsm to 210 gsm (12-lb bond to 56-lb bond)	
Tray Capacity	Height up to 108 mm (4 1/4")	
Maximum Number of Staples	50 sheets* A4, A4 long-edge feed, B5(JIS), B5(JIS)-long edge feed, Letter, Letter long-edge feed 25 sheets* A3, B4(JIS), Ledger, Legal, Foolscap *When using plain paper and recycled paper (85 gsm (23-lb bond))	
Paper Size for Staple	A3, B4(JIS), A4, A4-long-edge feed, B5(JIS), B5(JIS)-long-edge feed, Ledger, Legal, Letter, Letter-long-edge feed, Foolscap	
Paper Weight for Staple	52 gsm to 210 gsm (14-lb bond to 56-lb bond) (plain paper, recycled paper)	
Staple Position	1 at front side (angle stapling) 1 at rear side (angle stapling) 2 at center (parallel stapling)	
Power Source	AC 100 V - 240 V, 1.2 A - 0.6 A, 50 Hz - 60 Hz	
Power Consumption	Max. 110 W	
Dimensions (W × D × H)	760 mm × 680 mm × 585 mm (29 15/16" × 26 25/32" × 23 1/32")	
Required Space with Printer (W × D × H)	1,440 mm × 1,240 mm × 1,345 mm (56 11/16" × 48 13/16" × 52 15/16")	
Weight	Approx. 30 kg (66 lb)	

Face Down Finisher Consumables

ComColor Staple 50

Staples for the Face Down Finisher G10.
15,000 Pieces/Box.



Additional 2000 Sheet Feeder FG20

Type	External Paper Tray Unit	
Paper Size	A4 long-edge feed, B5(JIS) long-edge feed, Letter long-edge feed, 16K long-edge feed	
Paper Type and Weight	52 gsm to 104 gsm (14-lb bond to 28-lb bond) (plain paper, recycled paper, envelopes, postcards)	
Tray Capacity	Height up to 220 mm (8 21/32")*1	
Power Source	Power supplied from the main unit	
Dimensions (W × D × H)	415 mm × 600 mm × 390 mm (16 11/32" × 23 5/8" × 15 11/32")	
Required Space with Printer (W × D × H)	1,480 mm × 1,240 mm × 1,160 mm (58 9/32" × 48 13/16" × 45 21/32")	
Weight	Approx. 29 kg (64 lb)	

*1 When using plain paper and recycled paper (85 g/m2 (23-lb bond))

Multifunction Finisher FG20

Type	External Unit	
Tray Type	Top tray, Stacking tray, Booklet tray	
Finishing Functions	Offset output, Staple, Punch, Booklet binding, Bi-fold	
Paper Size	Top Tray	Maximum: 330 mm × 488 mm (13" × 19 7/32") Minimum: 100 mm × 148 mm (3 15/16" × 5 13/16")
	Stacking Tray	Maximum: 330 mm × 488 mm (13" × 19 7/32") Minimum: 148 mm × 148 mm (5 13/16" × 5 13/16")
	Booklet Tray	Maximum: 330 mm × 488 mm (13" × 19 7/32") Minimum: 182 mm × 257 mm (7 3/16" × 10 1/8")
Paper Weight	Top Tray / Stacking Tray	52 gsm to 210 gsm (14-lb bond to 56-lb bond)
	Booklet Tray	60 gsm to 90 gsm (16-lb bond to 24-lb bond) (cover: 90gsm to 210 gsm (24-lb bond to 56-lb bond))
Tray Capacity	Top Tray	Height up to 50 mm (1 31/32")
	Stacking Tray	Height up to 200 mm (7 7/8")
	Booklet Tray	20 copies (15 sheets for a copy)
Stapling	Maximum Number of Staples*1	100 sheets A4, A4 long-edge feed, B5(JIS) long-edge feed, Letter, Letter long-edge feed 65 sheets A3, B4(JIS), Ledger, Legal, Foolscap
	Paper Size	Maximum: 297 mm × 432 mm (11 11/16" × 17") (equivalent to A3) Minimum: 182 mm × 148 mm (7 5/32" × 5 13/16")
	Staple Position	1 at front side (angle stapling), 1 at rear side (angle stapling)*2, parallel stapling, 2 at center (parallel stapling)
Punching	Number of Punches	2 holes, 3 holes 2 holes, 4 holes
	Paper Size	2 holes: A3, B4 (JIS), A4-long-edge feed, A4, B5 (JIS)-long-edge feed, Ledger, Legal, Letter-long-edge feed, Letter 3 holes: A3, B4 (JIS), A4-long-edge feed, B5 (JIS)-long-edge feed, Ledger, Letter-long-edge feed 4 holes: A3, A4-long-edge feed, Ledger, Letter-long-edge feed
	Paper Weight	52 gsm to 210 gsm (14-lb bond to 56-lb bond)
Creating a Booklet (Center margin/2-fold)	Maximum Number of Sheets*1*3	Center margin: 20 sheets (80 pages) 2-fold: 5 sheets (20 pages)
Power Source	AC 100-240 V, 50-60 Hz, 2.3-1.1 A (3.0 -1.5 A with Folder Unit)	
Power Consumption	Max. 230 W (300 W with Folder Unit)	
Operating Noise	68 dB (A) or less	
Dimensions (W × D × H)	1,205 mm × 735 mm × 1,215 mm (47 7/16" × 28 15/16" × 47 27/32")	
Required Space with Printer (W × D × H)	With folder unit	2,655 mm × 1,325 mm × 1,215 mm (104 17/32" × 52 5/32" × 47 27/32")
	Without folder unit	2,415 mm × 1,325 mm × 1,215 mm (95 3/32" × 52 5/32" × 47 27/32")
Weight	Approx. 146 kg (322 lb)	

*1 When using plain paper or recycled paper (85 gsm (23-lb bond))

*2 Rear-side angle stapling is only available for A4 long-edge feed and A3.

*3 Includes an added cover.

Folder Unit FG 20

Paper Size	Z-fold*1	A3, B4(JIS), Ledger
	Tri-fold (Outer Tri-fold/Inner Tri-fold)	A4, Letter
Paper Weight	60gsm to 90gsm (16-lb bond to 24-lb bond) (plain paper, recycled paper)	
Tri-fold Output Tray Capacity*2	Approx. 30 sheets	
Number of Sheet per Fold	1 sheet	
Dimensions (W × D × H)	235 mm × 735 mm × 1,005 mm (9 1/4" × 28 15/16" × 39 9/16")	
Weight	Approx. 52 kg (115 lb)	

*1 When printouts are output to the stacking tray, maximum height up pages differ according to the paper size.
(A3/Ledger paper: 80 sheets, B4(JIS) paper: 60 sheets)

*2 When using plain paper or recycled paper (85 gsm(23-lb bond))

Multifunction Finisher Consumables

ComColor Staple 100

Staples for the Multifunction Finisher FG20.
5,000 Pieces x4 /Box (4 staple cartridges/1 staple dust box).

ComColor Staple Booklet

Saddle stitch staples for the Multifunction Finisher FG20.
5,000 Pieces x2/Box (2 staple cartridges).

Wrapping Envelope Finisher G10 (E)

Type	In-Line Sealed Mail Making System	
Finishing Type	Sealed mail making	
Dedicated Paper for Envelopes	Wrapping Envelope Form A: 233 mm × 296 mm (9 3/16" × 11 21/32") Approx. 105 gsm (28-lb bond)	Wrapping Envelope Form B: 233 mm × 391 mm (9 3/16" × 15 13/32") Approx. 105 gsm (28-lb bond)
Insert Paper	Size	A4 (210 mm × 297 mm), B5(JIS) (182 mm × 257 mm)
	Paper Type and Weight	Standard Tray Plain paper, recycled paper 46 gsm to 120 gsm (12.2-lb bond to 31.9-lb bond) paper Feed Tray 52 gsm to 104 gsm (14-lb bond to 28-lb bond) paper
Printable Area	Dedicated Paper for Envelopes	Form A Maximum: 212 mm × 217 mm Form B Maximum: 212 mm × 311 mm
	Guaranteed Print Area for Inserts	Standard: Margin width of 3 mm (1/8") Maximum: Margin width of 1 mm (0.04")
Maximum Load of the Mail Stacker	Height up to 310 mm (12 7/32") (Approx. 110 mails: IJ paper (85 gsm (23-lb bond))/1 sheet insert with Inner 3-folds)	
Number of Inserts Sheets	46 gsm to 59 gsm (12.2-lb bond to 15.7-lb bond)	6 sheets or less
	60 gsm to 80 gsm (16-lb bond to 21.3-lb bond)	5 sheets or less
	81 gsm to 100 gsm (21.5-lb bond to 26.6-lb bond)	4 sheets or less
	101 gsm to 120 gsm (26.9-lb bond to 31.9-lb bond)	3 sheets or less
Adhesion Method	Mail short-edge part	Pressurized adhesion method to the pressure-sensitive adhesive coated area.
	Mail long-edge part	Wet coating adhesion method to the remoistening adhesive coated area.
Remoistening Adhesive	Supplementation Method	Replenish from the water supply tank (removal possible)
	Water Supply Tank Capacity	400 ml
	Water Tank Capacity Inside Printer	480 ml
Finished Product Mail Size	Wrapping Envelope Form A: 233 mm × 110 mm (9 3/16" × 4 11/32") Wrapping Envelope Form B: 233 mm × 158 mm (9 3/16" × 6 7/32")	
Processing Speed*1	40 mails/min for A4 simplex	
Power Source	AC 100 V - 240 V, 3.0 A - 1.5 A, 50 Hz - 60 Hz	
Power Consumption	Max. 250 W Ready: 40 W or less Stand-by: 0.5 W or less	
Operating Noise*2	68 dB (A) or less	
Dimensions (W × D × H)*3	990 mm × 710 mm × 960 mm (38 31/32" × 27 15/16" × 37 25/32")	
Required Space with Printer (W × D × H)*3	2,270 mm × 1,280 mm × 1,160 mm (89 3/8" × 50 3/8" × 45 21/32")	
Weight*3	Approx. 161 kg	

*1 When using ComColor GL9730: When inserting one sheet for A4 simplex printing
*2 When connected to a printer and sealing the envelope form with one enclosure sheet.
*3 Excluding the storage case.

Wrapping Envelope Form

Form paper for the Wrapping Envelope Finisher.

Product Name	Specifications
Envelope Form A	233 mm × 296 mm
Envelope Form B	233 mm × 391 mm
Envelope Form C	243 mm × 296 mm (9 9/16" × 11 21/32")

Perfect Binder G10

Type	Perfect Binder		
Finishing Type	Perfect Binding		
Warming-Up Time	13 min. or less (at a room temperature of 23 °C)		
Binding speed*1	62 booklets/hour		
Paper Size	Body page (long-edge feed): A4, B5(JIS), A5, Letter Cover sheet** (When cutting off the surplus part): A5: 210 mm × 307 mm - 342 mm (8 9/32" × 12 3/32" - 13 15/32") B5: 257 mm × 374 mm - 409 mm (10 1/8" × 14 23/32" - 16 3/32") A4: 297 mm × 430 mm - 465 mm (11 11/16" × 16 15/16" - 18 5/16") Letter: 279.4 mm × 441.8 mm - 476.8 mm (11" × 17 13/32" - 18 25/32") Cover sheet (When leaving the surplus part): A5: 210 mm × 298.5 mm - 398 mm (8 9/32" × 11 3/4" - 15 21/32") B5: 257 mm × 365.5 mm - 432 mm (10 1/8" × 14 3/8" - 17") A4: 297 mm × 421.5 mm - 460 mm (11 11/16" × 16 19/32" - 18 1/8") Letter: 279.4 mm × 433.3 mm - 466 mm (11" × 17 1/16" - 18 11/32")		
	Paper Weight	Standard Tray	Body page: Plain paper, recycled paper 52 gsm to 128 gsm (14-lb bond to 34-lb bond) (For A5 long-edge feed, 64 gsm to 128 gsm (17-lb bond to 34-lb bond)) Cover**3: Plain paper, recycled paper, high-quality paper 80 gsm to 210 gsm (21-lb bond to 56-lb bond)
		Feed Tray	Body page: Plain paper, recycled paper 52 gsm to 104 gsm (14-lb bond to 28-lb bond) (not available with A5 long-edge feed) Cover**3: Plain paper, recycled paper 80 gsm to 104 gsm (21-lb bond to 28-lb bond)
		Body Sheet Stacker	Body page: Plain paper, recycled paper 52 gsm to 128 gsm (14-lb bond to 34-lb bond)
Cover Sheet Inserter		Cover**3: Plain paper, recycled paper, high-quality paper 80 gsm to 210 gsm (21-lb bond to 56-lb bond)	
Binding Thickness (Binding Amount of Sheets)	1.5 mm - 30 mm (1/16" - 1 3/16") 15 - 300 sheets When using plain paper (85 gsm (23-lb bond)) Binding amount of sheets varies depending on the paper type.		
Binding Side	Long side only		
Output Capacity*4	30 copies (Max. 50 sheets for a copy)		
Essential margin*5	Body page: Min. 5 mm (3/16") Cover: Whole back side of spine, min. 5 mm (7/32") on Cover 2 and Cover 3		
Power Source	Perfect Binder G10 (120) AC 100 V - 120 V, 12.0 A, 50 Hz - 60 Hz Perfect Binder G10 (200) AC 220 V - 240 V, 6.0 A, 50 Hz - 60 Hz		
Power Consumption	Max. 1,500 W		
Operating noise*6	Max. 70 dB or less (when binding)		
Dimensions (W × D × H)	1,290 mm × 675 mm × 1,125 mm (50 25/32" × 26 9/16" × 44 9/32")		
Required Space with Printer (W × D × H)	2,755 mm × 1,240 mm × 1,160 mm (108 7/16" × 48 13/16" × 45 21/32")		
Weight	Approx. 220 kg (485 lb)		

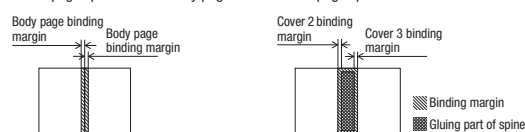
*1 The per hour speed converted based on the time required for the 5th to 10th booklet to be completed when configured with the following: Type of paper - IJ paper; Concentration - standard; and Resolution - 300 dpi.

*2 The length of the cover will vary depending on the thickness of the body pages to be bound. Paper with shorter length than body pages cannot be used.

*3 If the thickness of the booklet (spine) will be 20 mm (25/32") or more, the use of paper that is 105 gsm (28-lb bond) or heavier is recommended.

*4 When using ideal IJ paper (85 gsm (23-lb bond))

*5 • Two-page spread on the body page • Two-page spread on the cover



*6 165 ppm when connected to the printer, binding A4 long-edge feed

Perfect Binder Consumables

Perfect Binder Glue sheet 1 roll/Box Binds up approx. 600 booklets (A4 size, 5 mm (7/32") width)	Perfect Binder Primary filter 6 Sheets/Box Replace after using two sets of glue sheets.	Perfect Binder Secondary filter 1 Box Replace after using twelve sets of glue sheets or after approximately one year. Replace at the timing of whichever comes first.

High Capacity Feeder G10

Type	External Unit
Paper Size	Maximum: 340 mm × 465 mm (13 3/8" × 18 5/16") Minimum: 90 mm × 148 mm (3 9/16" × 5 27/32")
Paper Type and Weight	46 gsm to 210 gsm (12-lb bond to 56-lb bond) (plain paper, recycled paper, envelopes, postcards)
Tray Capacity	Height up to 440 mm (17 5/16")
Power Source	AC 100 V - 240 V, 1.0 A - 0.5 A, 50 Hz - 60 Hz
Power Consumption	Max. 100 W Ready*1: 30 W or less Sleep*2: 30 W or less Stand-by: 0.5 W or less
Operating Noise	Max. 68 db (A) A4-long-edge feed (Simplex) at the maximum print speed
Dimensions (W × D × H)	790 mm × 630 mm × 740 mm (31 3/32" × 24 13/16" × 29 1/8")
Required Space with Printer (W × D × H)	1,565 mm × 1,240 mm × 1,160 mm (61 5/8" × 48 13/16" × 45 21/32")
Weight	Approx. 69 kg (152 lb)

*1 Without printing operation

*2 When setting [Power Consumption (in Sleep)] to [Low].

High Capacity Stacker G10

Type	External Unit
Finishing Functions	Collating, offset stacking
Paper Size	Maximum: 340 mm × 460 mm (13 3/8" × 18 1/8") Minimum: 90 mm × 148 mm (3 9/16" × 5 27/32") Offset: 90 mm × 182 mm - 340 mm × 432 mm (3 9/16" × 7 3/16" - 13 3/8" × 17") (Envelopes are not acceptable.)
Paper Type and Weight	46 gsm to 210 gsm (12-lb bond to 56-lb bond) (plain paper, recycled paper, postcards)
Tray Capacity	Collating: Height up to 440 mm (17 5/16")*1 Offset: Height up to 405 mm (15 15/16")*2
Power Source	AC 100 V - 240 V, 1.4 A - 0.7 A, 50 Hz - 60 Hz
Power Consumption	Max. 140 W Ready*3: 30 W or less Sleep*4: 30 W or less Stand-by: 0.5 W or less
Operating Noise	68 dB (A) or less A4 long-edge feed (Simplex) at the maximum print speed
Dimensions (W × D × H)	1,000 mm × 700 mm × 960 mm (39 3/8" × 27 9/16" × 37 25/32")
Required Space with Printer (W × D × H)	2,210 mm × 1,315 mm × 1,160 mm (87" × 51 25/32" × 45 11/16")
Weight	Approx. 135 kg (298 lb)

*1 Height up to 110 mm for A5, postcards, envelopes, non-regular size paper

*2 Not applicable to A5, postcards, envelopes, non-regular size paper, etc.

*3 Without printing operation

*4 When setting [Power Consumption (in Sleep)] to [Low].

RISO Auto-Control Stacking Tray II

The paper guides automatically open to the correct width to match the paper in use.



Wide Stacking Tray



Product Name	RISO Auto-control Stacking Tray	Wide Stacking Tray
Paper Size	Maximum: 320 mm × 432 mm (12 9/16 × 17) Minimum: 90 mm × 148 mm (3 15/16 × 5 13/16)	Maximum: 340 mm × 550 mm (13 3/8 × 21 5/8) Minimum: 90 mm × 148 mm (3 15/16 × 5 13/16)
Tray Capacity*1	1,000 sheets	
Dimensions when connected to Printer (W × D × H)	In use	1,745 mm × 725 mm × 1,160 mm (68 11/16" × 28 17/32" × 45 21/32")
	In storage	1,370 mm × 705 mm × 1,045 mm (53 29/32" × 27 3/4" × 41 1/8")
	Required Space with Printer	1,745 mm × 1,240 mm × 1,160 mm (68 11/16" × 48 13/16" × 45 21/32")
Weight	Approximately 8 kg (17 lb)	Approximately 5 kg (11 lb)

*1 When using plain paper (85 gsm (23-lb bond)).

ComColorExpress FS2100C

CPU	Intel® Core™ i3-8100 3.60GHz
Memory Capacity	8 GB
Storage Capacity	Boot Drive 256GB SSD/Data Drive 500GB HDD
Operating System	Windows® 10 IoT Enterprise 2019 LTSC
Network Interface	2 ports (Ethernet: 10BASE-T/100BASE-TX/1000BASE-T)
Power Source	AC 100 V - 240 V, 1.5 A - 1.0 A, 50 Hz - 60 Hz
Power Consumption	Max. 80W / Ready 30W
Dimensions (W × D × H)*1	204mm x 248mm x 384mm (8.0 x 9.75 x 15.1in.)
Weight	Approx. 6 kg
PDL (Page Description Language)	PostScript® 3 (CPSI:3020), PDF (1.3, 1.4, 1.5, 1.6, 1.7, 2.0), PDF/VT, EPS, FreeForm, Enhanced PCL6/PCL5, TIFF6.0, PPML3.0, Creo VPS, Fiery® JDF1.8
Support Protocol	TCP/IP, AppleTalk, Bonjour, LPR, IPP, Port 9100, FTP, SMB, Email (IMAP/POP3), PAP, WSD, USB, HTTP, HTTPS (TLS), SNMP, LDAPv3, IPv4, IPv6, IPsec
Installed Font	PS: 140 fonts PCL: 81 fonts
Supported Client Operating System	Printer Driver: Windows 8.1 (32-bit/64-bit), Windows 10 (32-bit/64-bit), Windows Server® 2012, Windows Server 2012 R2, Windows Server 2016, Windows Server 2019, macOS v10.14 (Mojave), v10.15 (Catalina), v11 (Big Sur) Command Work Station: Windows 10 (64-bit), Windows Server 2016 (64-bit), Windows Server 2019 (64-bit), macOS v10.14 (Mojave), v10.15 (Catalina), v11 (Big Sur)

*1 Keep other objects at least 200 mm away from the equipment in the rear, and right and left.

ComColorExpress RS1200C

PDL (Page Description Language)	PostScript® 3 (CPSI:3019)*1, PDF (1.7), PCL 5c, PCL 6 (PCL XL), TIFF (6.0), PPML (2.1)
Applicable protocol	TCP/IP, HTTP, HTTPS(TLS1.2), DHCP, FTP, SMBv3, NetBIOS, LPR, IPP, Port 9100(RAW port), IPv4, IPv6, IPsec (IKEv1), SNMP
Installed Fonts	PS: 145 fonts PCL: 80 fonts

*1 Genuine Adobe® engine.

PS Kit FG10

PS Kit supports a variety of operating systems, and PDF files can be printed directly from USB flash drives.

Type	RIP option
PDL (Page Description Language)	PostScript Level3 (CPSI:3019)*1 PDF (1.7) PCL 5c, PCL 6 (PCL XL) TIFF (6.0)
Supported Protocols	TCP/IP, HTTP, HTTPS, DHCP, ftp, lpr, IPP, SNMP, Port9100 (RAW port), IPv4, IPv6, IPsec
Installed Fonts	PS: 136 Roman fonts and 2 Japanese fonts PCL: 88 Roman fonts

*1 Genuine Adobe engine.

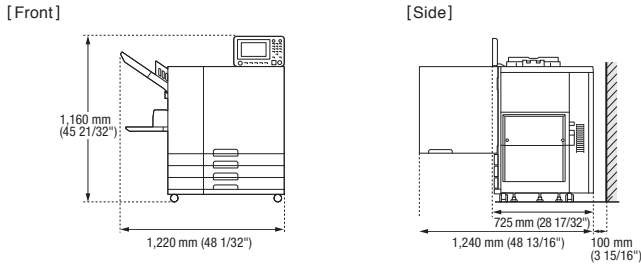
IC Card Reader Connection Kit

Applicable Card	ISO 14443 TypeA/TypeB/TypeC (FeliCa/Mifare)*1
Radio Law Category	Guided read-write communication equipment
Power Source	Power supplied from the USB port
Operating Environment	Temperature: 15 to 30 (59 to 86) Humidity: 40% to 70% RH (non-condensing)

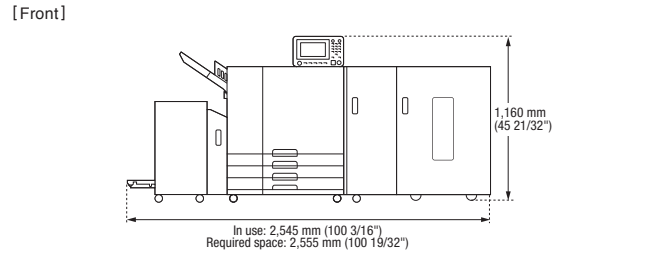
*1 IC Card Reader and IC cards are required.

ComColor GL Series and Optional Accessories Dimensions

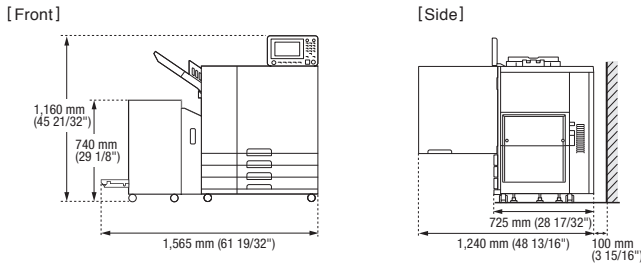
ComColor GL



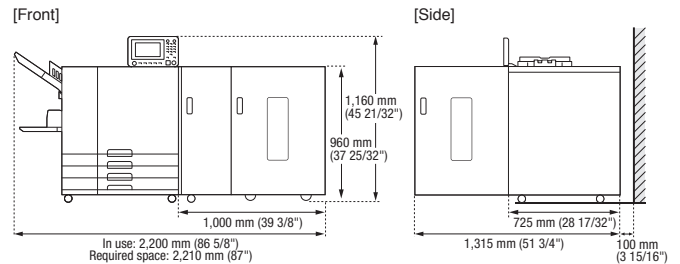
ComColor GL + High Capacity Feeder G10 + High Capacity Stacker G10



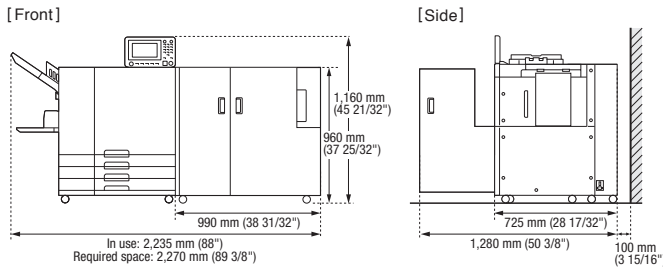
ComColor GL + High Capacity Feeder G10



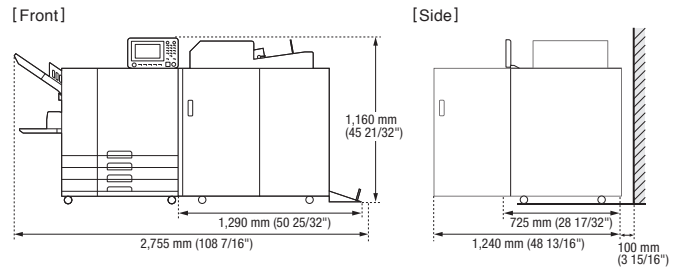
ComColor GL + High Capacity Stacker G10



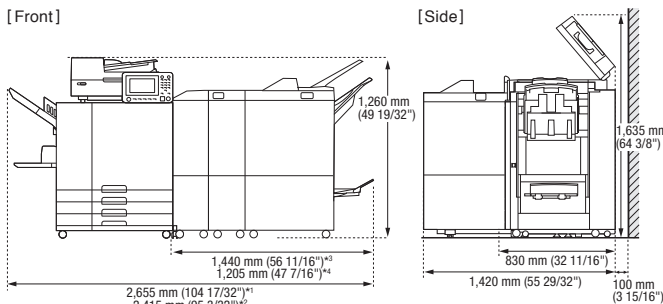
ComColor GL + Wrapping Envelope Finisher G10



ComColor GL + Perfect Binder G10

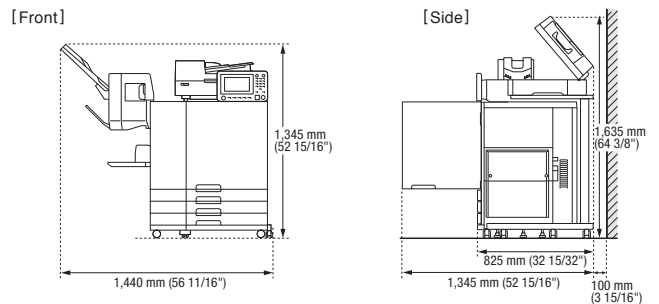


ComColor GL + Scanner HS7000 + Multifunction Finisher FG20 and Folder Unit FG20

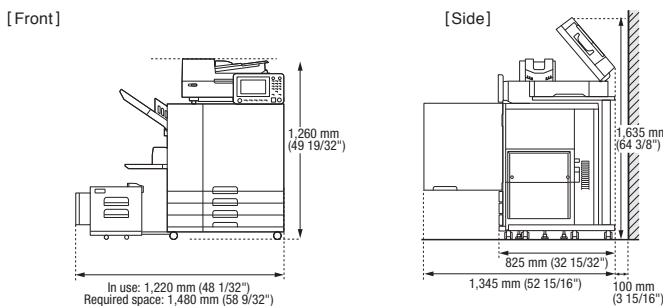


*1 ComColor GL+Multifunction Finisher and Folder Unit *2 ComColor GL+Multifunction Finisher *3 Multifunction Finisher and Folder Unit *4 Multifunction finisher

ComColor GL + Scanner HS7000 + Face Down Finisher G10



ComColor GL + Scanner HS7000 + Additional 2000 Sheet Feeder FG20



® RISO, and ComColor are trademarks or registered trademarks of RISO KAGAKU CORPORATION. EFI and Fiery are trademarks of Electronics For Imaging, Inc. and/or its wholly owned subsidiaries in the United States and/or certain other countries. Adobe and PostScript are either registered trademarks or trademarks of Adobe in the United States and/or other countries. macOS, AppleTalk and Bonjour are trademarks of Apple Inc. Microsoft, Windows, Excel, PowerPoint, and Windows Server are either registered trademarks or trademarks of Microsoft Corporation in the United States and/or other countries. Intel and Intel Core are registered trademarks or trademarks of Intel Corporation in the U.S. and/or other countries. Other corporate names and/or trademarks are either registered trademarks or trademarks of each company, respectively.